

JVC

SCHEMATIC DIAGRAMS

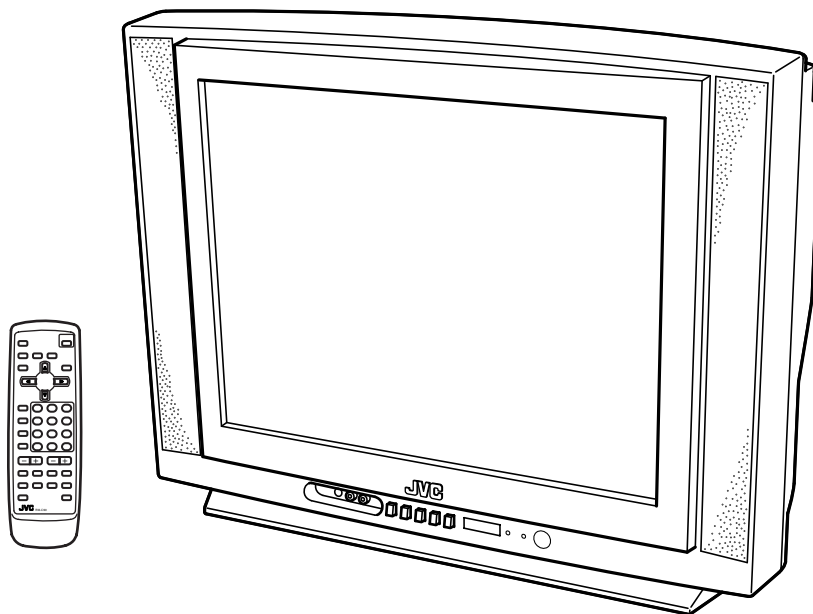
COLOUR TELEVISION

AV-2134TEE

CD-ROM No.SML200110

BASIC CHASSIS

CG-F



CONTENTS

■ NOTE ON USING CIRCUIT DIAGRAMS	2-1
■ SEMICONDUCTOR SHAPES	2-2
■ BLOCK DIAGRAM	2-3
■ CIRCUIT DIAGRAMS	2-5
■ PATTERN DIAGRAMS	2-9

CONTENTS

SEMICONDUCTOR SHAPES 2-2

BLOCK DIAGRAM 2-3

CIRCUIT DIAGRAMS

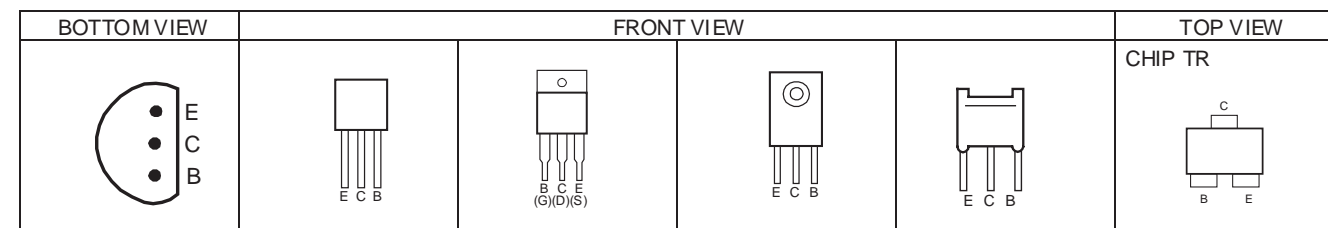
MAIN PWB CIRCUIT DIAGRAM 2-5

PATTERN DIAGRAMS

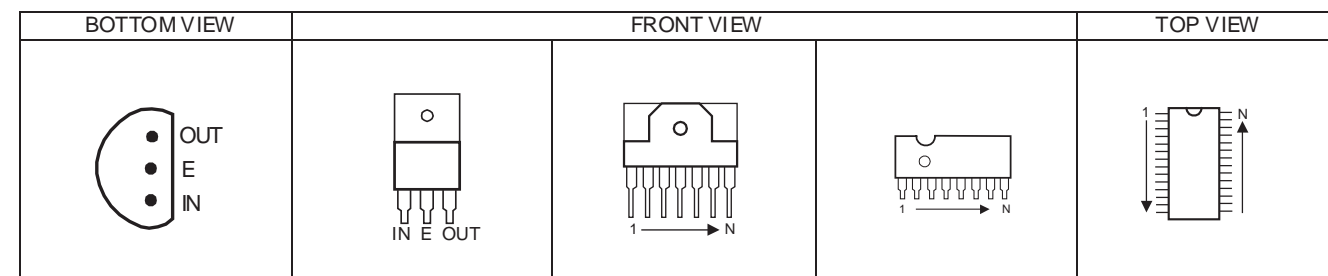
MAIN PWB & CRT SOCKET PWB PATTERN 2-9

SEMICONDUCTOR SHAPES

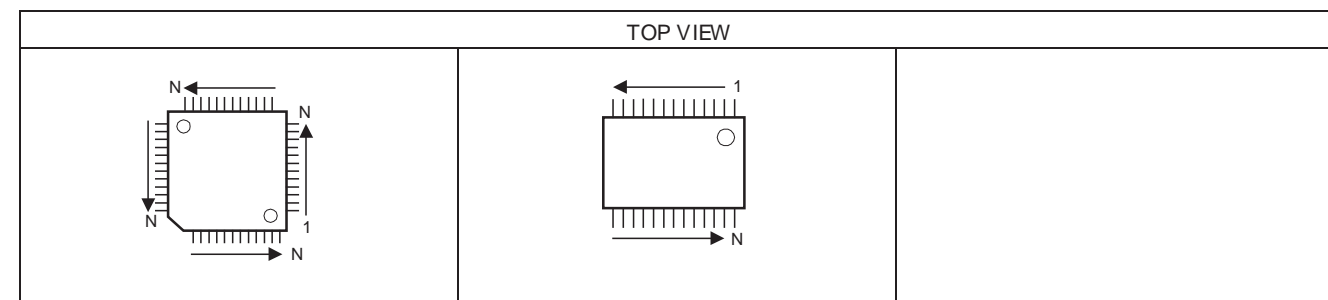
TRANSISTOR



IC



CHIP IC



STANDARD CIRCUIT DIAGRAM

NOTE ON USING CIRCUIT DIAGRAMS

1.SAFETY

The components identified by the Δ symbol and shading are critical for safety. For continued safety replace safety critical components only with manufactures recommended parts.

2.SPECIFIED VOLTAGE AND WAVEFORM VALUES

The voltage and waveform values have been measured under the following conditions.

- (1)Input signal : Colour bar signal
- (2)Setting positions of each knob/button and variable resistor : Original setting position when shipped
- (3)Internal resistance of tester :DC 20k Ω /V
- (4)Oscilloscope sweeping time :H \Rightarrow 20 μ S/div
:V \Rightarrow 5mS/div
:Others \Rightarrow Sweeping time is specified
- (5)Voltage values :All DC voltage values

* Since the voltage values of signal circuit vary to some extent according to adjustments, use them as reference values.

3.INDICATION OF PARTS SYMBOL [EXAMPLE]

● In the PW board :R1209 \rightarrow R209

4.INDICATIONS ON THE CIRCUIT DIAGRAM

(1)Resistors

● Resistance value

- No unit :[Ω]
- K :[K Ω]
- M :[M Ω]

● Rated allowable power

- No indication :1/ 16 [W]
- Others :As specified

● Type

- No indication :Carbon resistor
- OMR :Oxide metal film resistor
- MFR :Metal film resistor
- MPR :Metal plate resistor
- UNFR :Unflammable resistor
- FR :Fusible resistor

* Composition resistor 1/2 [W] is specified as 1/2S or Comp.

(2)Capacitors

● Capacitance value

- 1 or higher :[pF]
- less than 1 :[μ F]

● Withstand voltage

- No indication :DC50[V]
- Others :DC withstand voltage [V]
- AC indicated :AC withstand voltage [V]

* Electrolytic Capacitors

47/50[Example]:Capacitance value [μ F]/withstand voltage[V]

● Type

- No indication :Ceramic capacitor
- MM :Metalized mylar capacitor
- PP :Polypropylene capacitor
- MPP :Metalized polypropylene capacitor
- MF :Metalized film capacitor
- TF :Thin film capacitor
- BP :Bipolar electrolytic capacitor
- TAN :Tantalum capacitor

(3)Coils

- No unit :[μ H]
- Others :As specified

(4)Power Supply

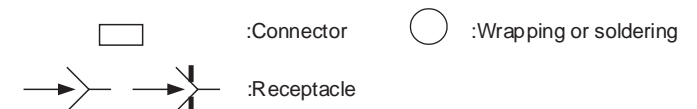


* Respective voltage values are indicated

(5)Test point



(6)Connecting method



(7)Ground symbol

- \perp :LIVE side ground
- \perp with slash :ISOLATED(NEUTRAL) side ground
- \perp with horizontal lines :EARTH ground
- ∇ :DIGITAL ground

5.NOTE FOR REPAIRING SERVICE

This model's power circuit is partly different in the GND. The difference of the GND is shown by the LIVE : (\perp) side GND and the ISOLATED(NEUTRAL) : (\perp with slash) side GND. Therefore, care must be taken for the following points.

(1)Do not touch the LIVE side GND or the LIVE side GND and the ISOLATED(NEUTRAL) side GND simultaneously. If the above caution is not respected, an electric shock may be caused.

Therefore, make sure that the power cord is surely removed from the receptacle when, for example, the chassis is pulled out.

(2)Do not short between the LIVE side GND and ISOLATED(NEUTRAL) side GND or never measure with a measuring apparatus measure with a measuring apparatus (oscilloscope, etc.) the LIVE side GND and ISOLATED(NEUTRAL) side GND at the same time. If the above precaution is not respected , a fuse or any parts will be broken.

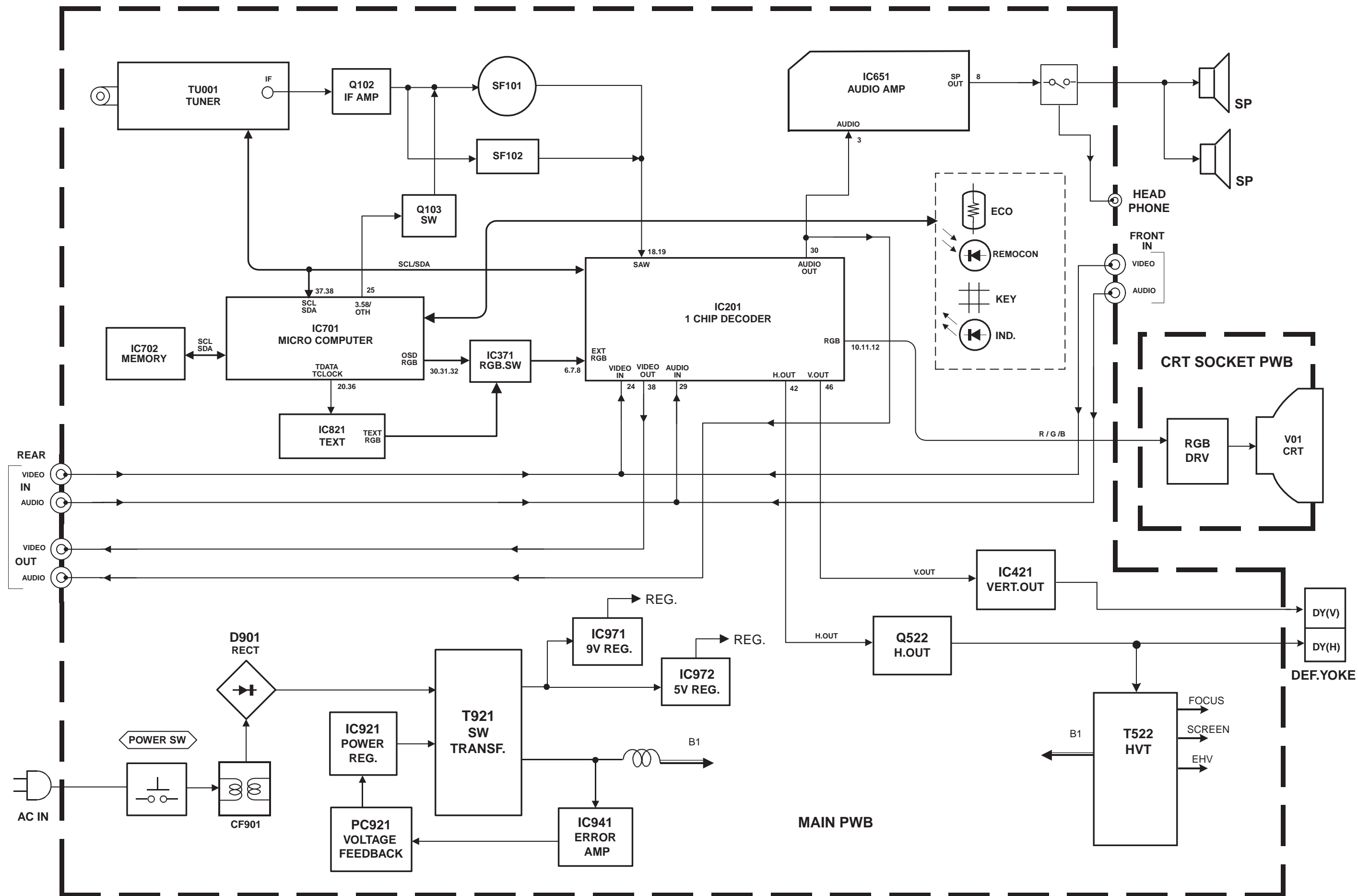
◇ Since the circuit diagram is a standard one, the circuit and circuit constants may be subject to change for improvement without any notice.

NOTE

◇ Due improvement in performance, some part numbers show in the circuit diagram may not agree with those indicated in the part list.

When ordering parts, please use the numbers that appear in the Parts List.

BLOCK DIAGRAM



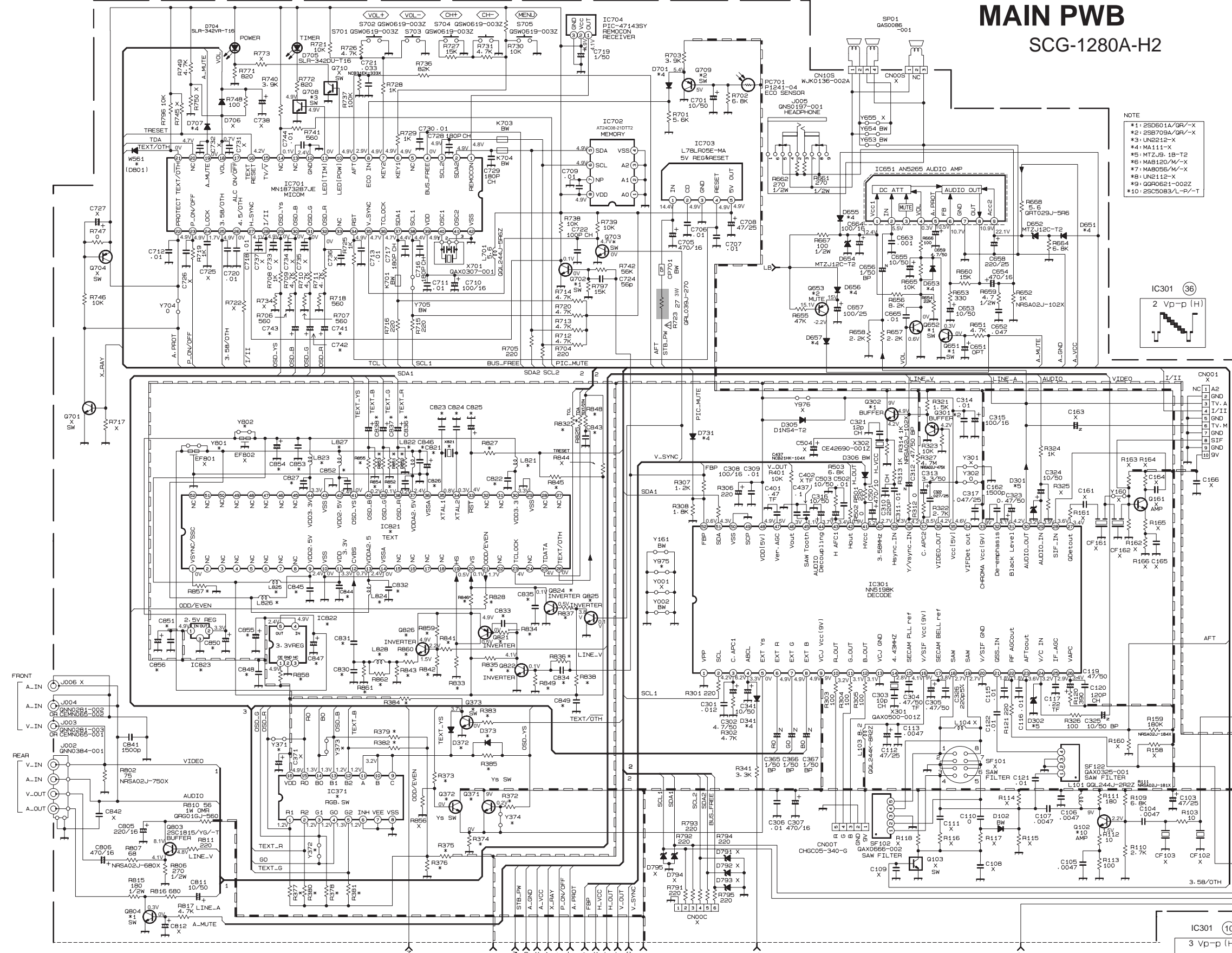
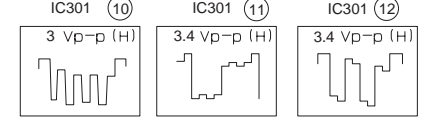
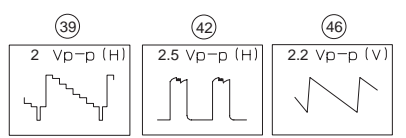
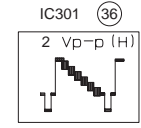
CIRCUIT DIAGRAMS MAIN PWB CIRCUIT DIAGRAMS [1/2]

MAIN PWB SCG-1280A-H2

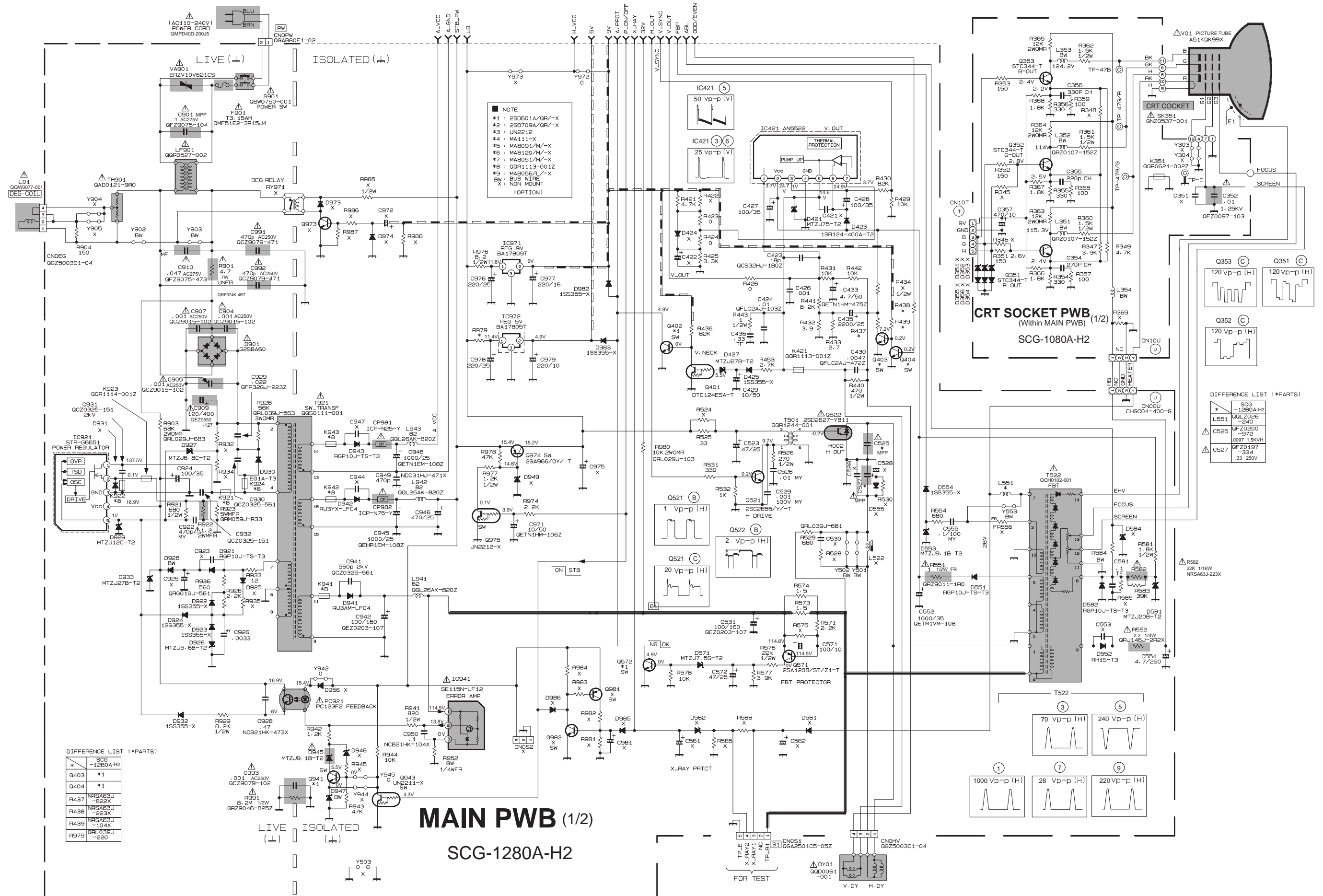
DIFFERENCE LIST (*PARTS)

SCG-1280A-H2	SCG-1280A-H2
IC371 TC4053 BP/N	LB28 NGL092K -4R7X
Q371 1	LB23 NGL092K -4R7X
Q372 1	LB24 NGL092K -4R7X
Q373 1	LB25 NGL092K -4R7X
Q374 1	LB26 NGL092K -4R7X
Q375 1	LB27 NGL092K -4R7X
Q376 1	LB28 QGL244K -8R2Z
Q377 1	RB25 220
Q378 1	RB27 1K
Q379 1	RB28 2.7K
Q380 1	RB32 220
Q381 1	RB33 8.2K
Q382 1	RB34 39K
Q383 1	RB35 1.8K
Q384 1	RB36 47K
Q385 1	RB37 39K
Q386 1	RB38 10K
Q387 1	RB41 3.3K
Q388 1	RB42 3.3K
Q389 1	RB43 470
Q390 1	RB45 4.7K
Q391 1	RB46 10K
Q392 1	RB48 0
Q393 1	RB49 15K
Q394 1	RB50 3.3K
Q395 1	RB51 820
Q396 1	RB52 3.3K
Q397 1	RB53 820
Q398 1	RB54 3.3K
Q399 1	RB55 820
Q400 1	RB57 10K
Q401 1	RB58 4.7K
Q402 1	RB59 47K
Q403 1	RB60 100
Q404 1	RB61 10K
Q405 1	RB62 390
Q406 1	RB63 100/16
Q407 1	RB64 0.1
Q408 1	RB65 0.1
Q409 1	RB66 0.1
Q410 1	RB67 0.1
Q411 1	RB68 150p CH
Q412 1	RB69 150p CH
Q413 1	RB70 150p CH
Q414 1	RB71 150p CH
Q415 1	RB72 150p CH
Q416 1	RB73 150p CH
Q417 1	RB74 150p CH
Q418 1	RB75 150p CH
Q419 1	RB76 150p CH
Q420 1	RB77 150p CH
Q421 1	RB78 150p CH
Q422 1	RB79 150p CH
Q423 1	RB80 150p CH
Q424 1	RB81 150p CH
Q425 1	RB82 150p CH
Q426 1	RB83 150p CH
Q427 1	RB84 150p CH
Q428 1	RB85 150p CH
Q429 1	RB86 150p CH
Q430 1	RB87 150p CH
Q431 1	RB88 150p CH
Q432 1	RB89 150p CH
Q433 1	RB90 150p CH
Q434 1	RB91 150p CH
Q435 1	RB92 150p CH
Q436 1	RB93 150p CH
Q437 1	RB94 150p CH
Q438 1	RB95 150p CH
Q439 1	RB96 150p CH
Q440 1	RB97 150p CH
Q441 1	RB98 150p CH
Q442 1	RB99 150p CH
Q443 1	RB100 150p CH

NOTE
 *1: 2SD601A/QR/-X
 *2: 2SB709A/QR/-X
 *3: UN212-X
 *4: MA111-X
 *5: MTZJ-1B-T2
 *6: MAB120/M/-X
 *7: MAB056/M/-X
 *8: UN112-X
 *9: QR0621-002Z
 *10: 2SC5083/L-P/-T

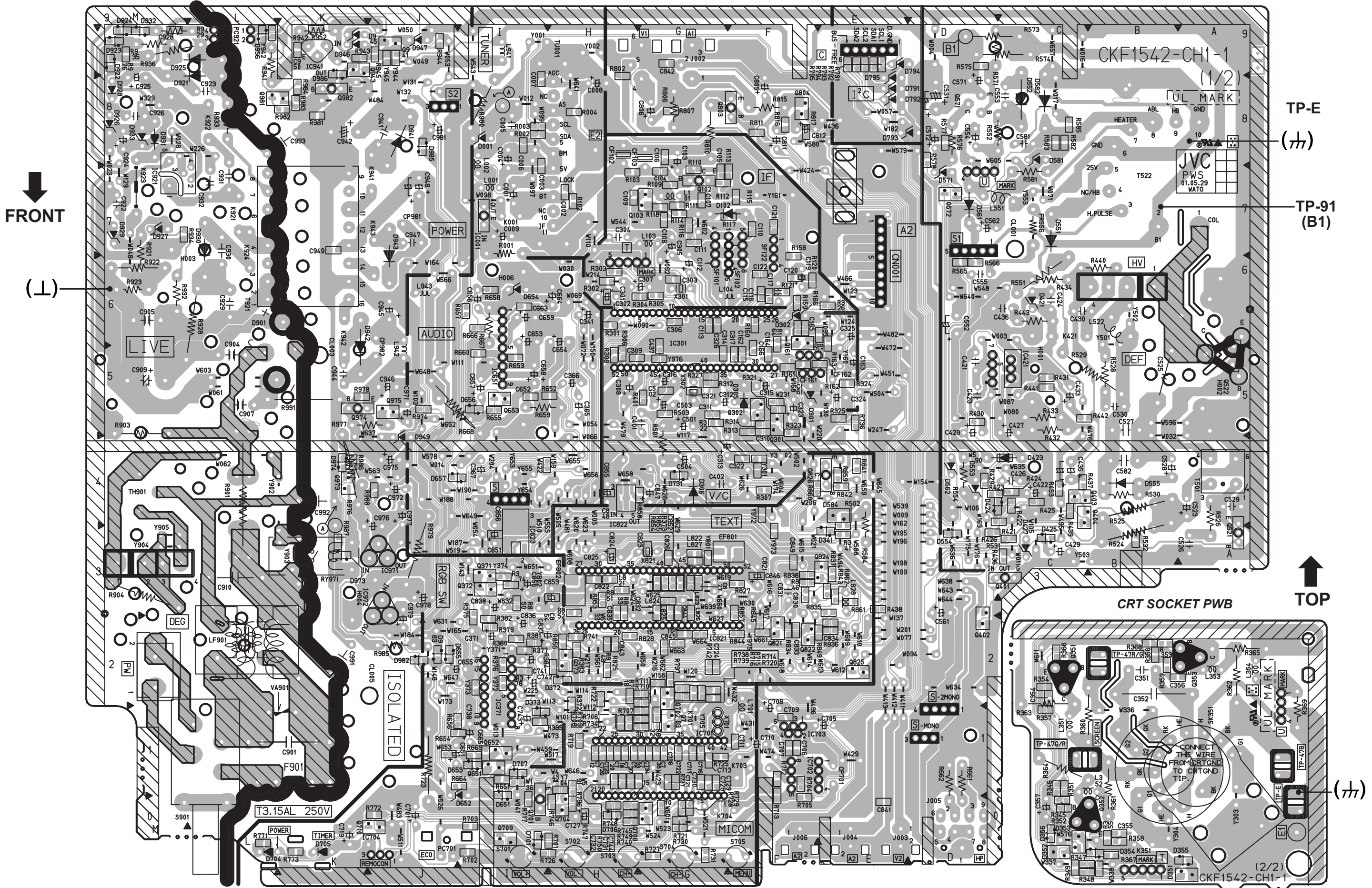


MAIN PWB CIRCUIT DIAGRAM [2/2]



PATTERN DIAGRAMS MAIN PWB & CRT SOCKET PWB PATTERN

MAIN PWB



FRONT

(T)

TP-E (T)

TP-91 (B1)

TOP

(T)

JVC

VICTOR COMPANY OF JAPAN, LIMITED

HOME AV NETWORK BUSINESS UNIT, 12, 3-chome, Moriya-cho, Kanagawa-ku, Yokohama, Kanagawa-prefecture, 221-8528, Japan

AV2134TEE-H #4



Printed in Japan
VP 0110
DP6060